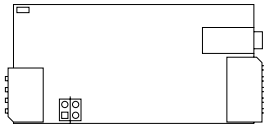


BSGr(Button Signal Generator Resistive) User Guide

1. Feature of BSGr

- Generates resistive controller signal for car stereo remote control.
- Controls the resistive signal controlled car stereo(eg. Sony, Hyundai, KIA)
- Controlled by CarPC JoyCon Exd though J2P BUS
- Generates Phone/Mute signal
- Resistance range 0~100k ohm

2. Contents



BSGr module x1



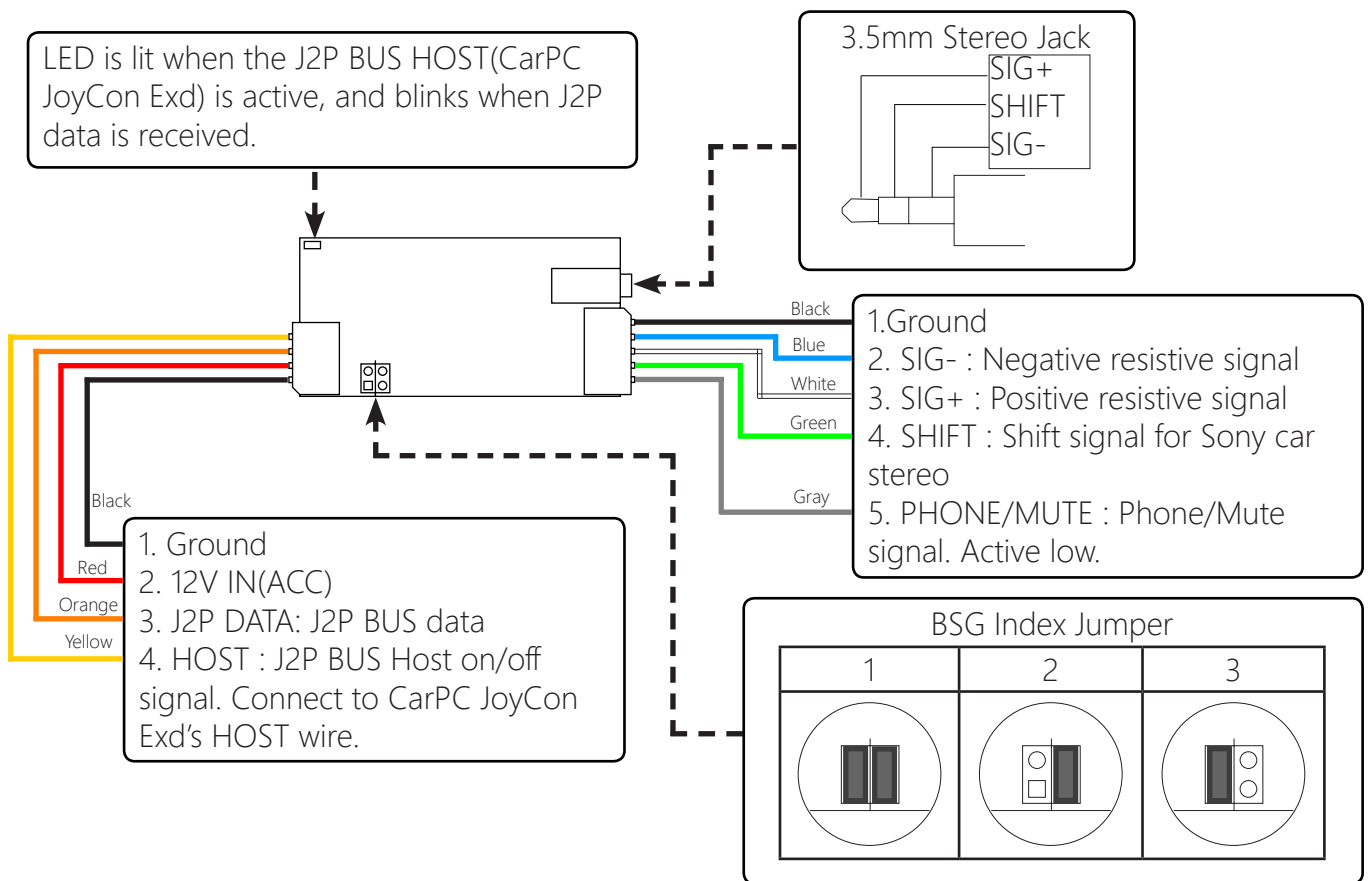
Main cable x1



5pin cable x1

Heat Shrinkable Tube x2
User guide

3. Board Layout



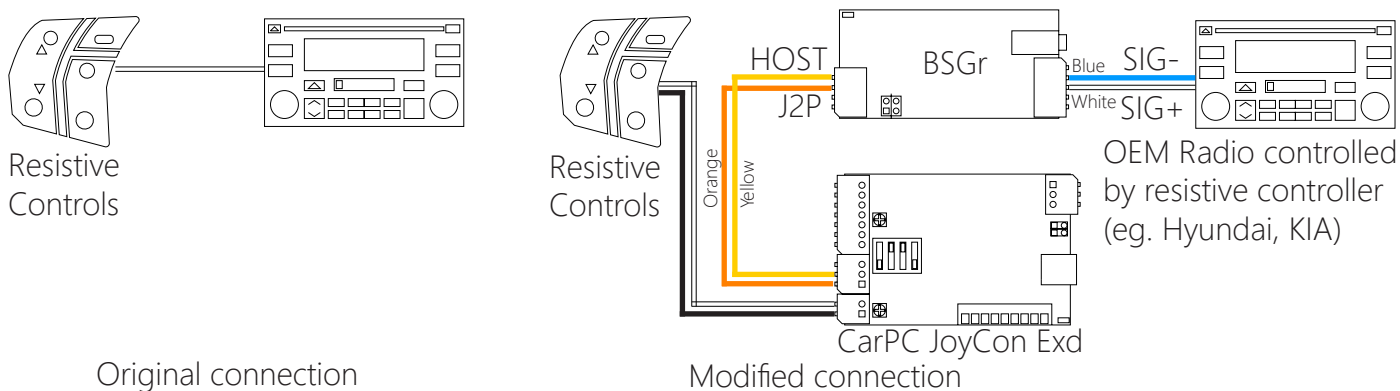
4. Installation

BSGr is a CarPC JoyCon peripheral device connected through J2P BUS.

Connect CarPC JoyCon Exd's HOST and J2P to BSGr's HOST and J2P respectively.

Connect BSGr's SIG+ to the steering wheel controller's positive signal.

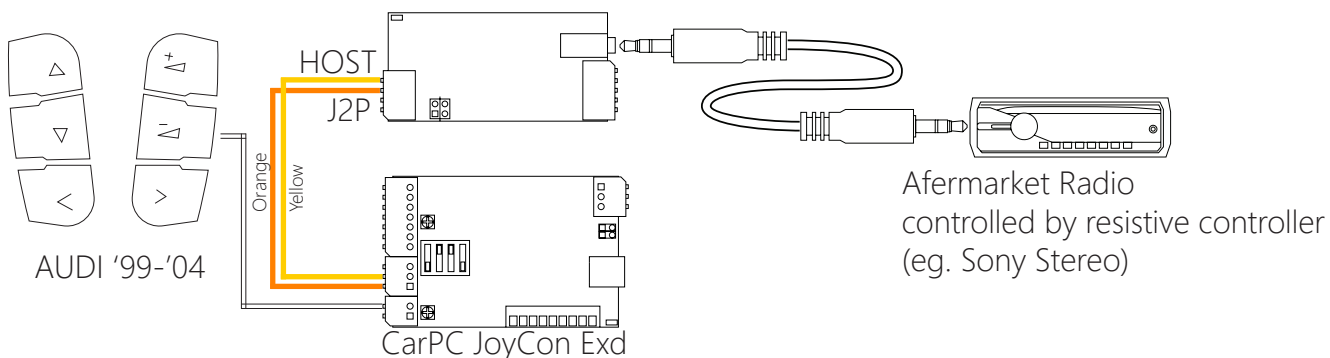
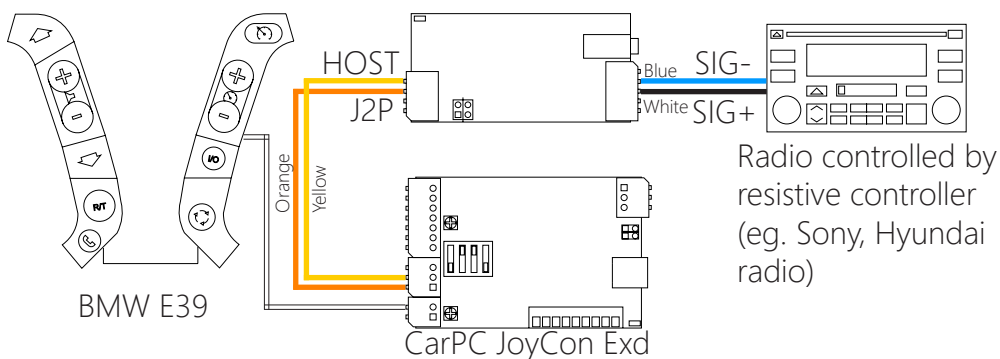
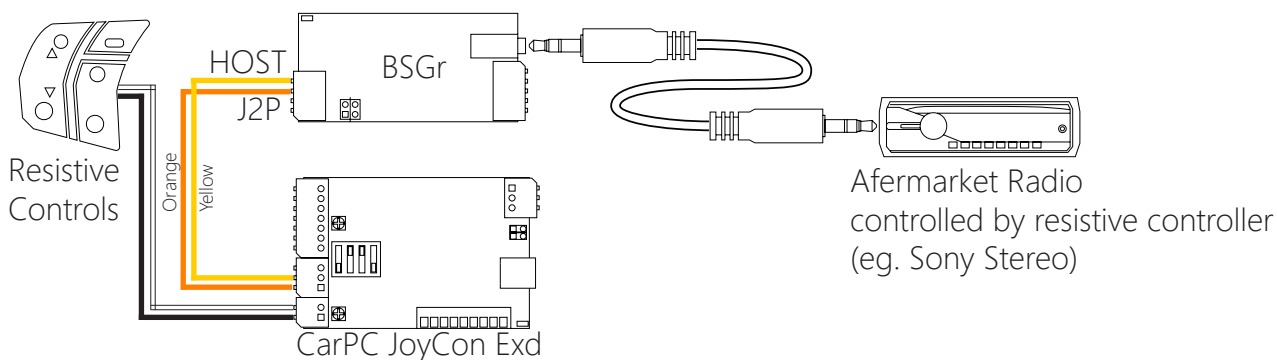
Connect BSGr's SIG- to the steering wheel controller's negative signal. If there is no steering wheel controller's negative signal wire, connect SIG- to Ground.

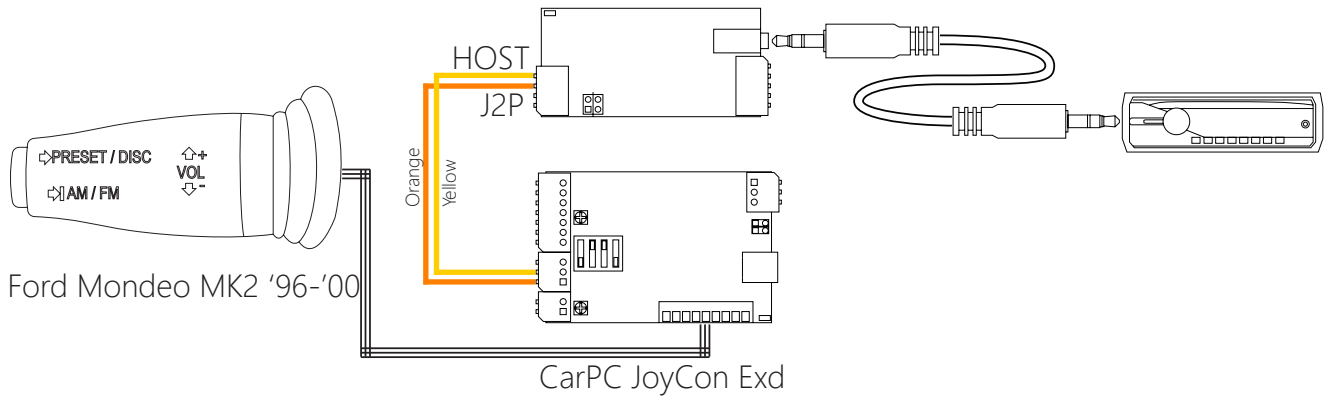
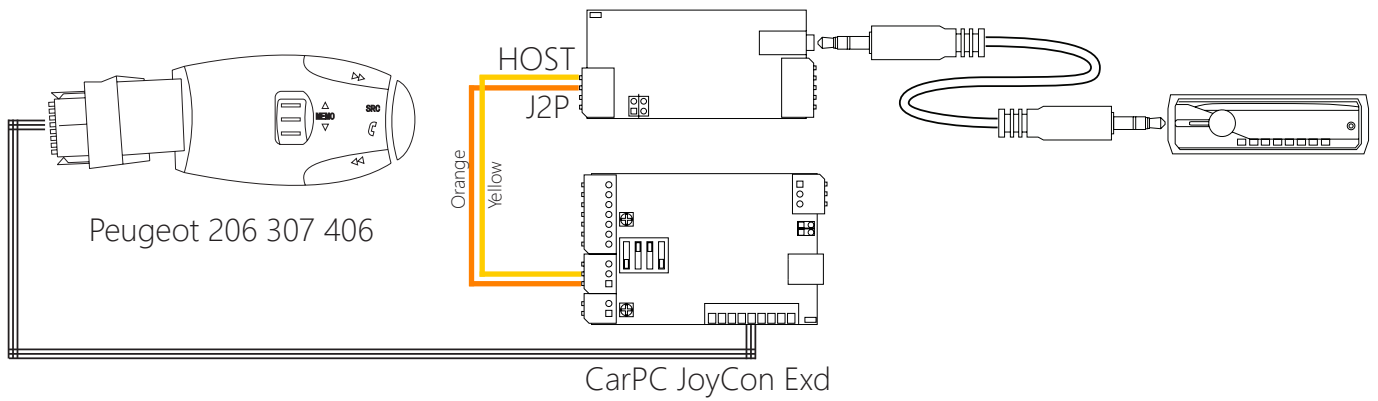


You can also use a different kind of steering wheel controller for a different kind of radio.

For example, you can control the resistive controlled radios (eg. Sony, Hyundai radio) with GM controller. This is useful when you install an aftermarket car stereo.

Use 3.5mm stereo cable to connect BSGr to Sony Radio.





5. Configuration of JoyCon Explorer

1. Choose the number of BSG device in **Num. of BSG**.
2. Choose the **BSG index**.
3. Choose the **Type** of BSG as BSG-R.
4. Put the **Resistance** value of each buttons. The resistance unit is ohm.
5. Put the **Name** of BSG button that is spoken when the Button is pressed.
6. Drag-drop the button to the BSG button.

JoyCon Explorer - [1(CPJexd):CarPC JoyCon Exd] : Sony Radio.prs

Folder Button Voice Preset Misc FW

1(CPJexd):CarPC JoyCon Exd Sony Radio

A	B	C/D	LED	BSG	MIX
1	0			<input type="radio"/> 1	Power
2	2270			<input type="radio"/> 2	Mode
3	3910			<input type="radio"/> 3	Attenuation
4	5530				Display
5	8120				Next Track
6	10540				Previous Track
7	15860				Volume Up
8	20740				Volume Down
9	29610				Equalizer
10	43010				Band
11	8120				Next Album <input checked="" type="checkbox"/>
12	10540				Previous Album <input checked="" type="checkbox"/>

Type BSG-R Num. of BSG 1

BSG Button Signal Generator

1 2 3 4 5 6 7 8 9 10 11 12

Drag-Drop

Sony radio needs shift signal for Next/Previous Album button, check the checkbox for Next/Previous Album button. BSG settings can be saved as or restored from a file(.bsg).